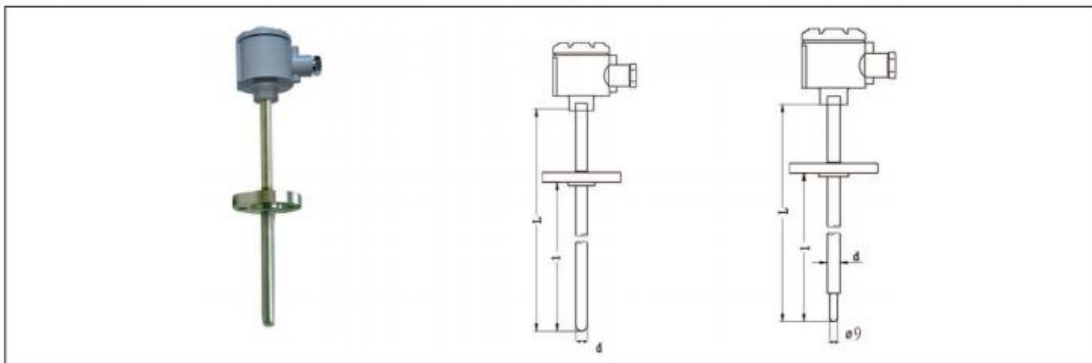


## 固定法兰式热电偶 Fixed flange type thermocouple



型号 Model	分度号 Graduation	测温范围 °C Range of temperature measurement °C	热响应时间 Thermal response time	保护管材质 Material for protective tube	规格 Specification	
					d	L
WRM-440 WRM <sub>2</sub> -440	N	0~800	<90s	1Cr18Ni9Ti	Φ 16	300×150 350×200 400×250 450×300 500×350 550×400 650×500 900×750 1150×1000 1650×1500 2150×2000
WRM-440G WRM <sub>2</sub> -440G		0~1100		0Cr25Ni20		
WRN-440 WRN <sub>2</sub> -440	K	0~800	<90s	1Cr18Ni9Ti		
WRN-440G WRN <sub>2</sub> -440G		0~1100		0Cr25Ni20		
WRN-440 WRN <sub>2</sub> -440	K	0~800	<90s	1Cr18Ni9Ti		
WRN-440G WRN <sub>2</sub> -440G		0~1000		0Cr25Ni20		
WRE-440 WRE <sub>2</sub> -440	E	0~800	<90s	1Cr18Ni9Ti		
WRE-440G WRE <sub>2</sub> -440G			<24s			
WRC-440 WRC <sub>2</sub> -440	T	0~350	<90s	1Cr18Ni9Ti		
WRC-440G WRC <sub>2</sub> -440G			<24s			
WRF-440 WRF <sub>2</sub> -440	J	0~600	<90s	1Cr18Ni9Ti		
WRF-440G WRF <sub>2</sub> -440G			<24s			

- 1) 热电偶 I 级按协议订货;
- 2) 保护管其余材质根据协议订货;
- 3) 公称压力 ≤4MPa。

- 1) Thermocouple I is ordered according to the agreement.
- 2) The material for the rest protective tube is ordered according to the agreement.
- 3) Nominal pressure is: ≤4MPa.

