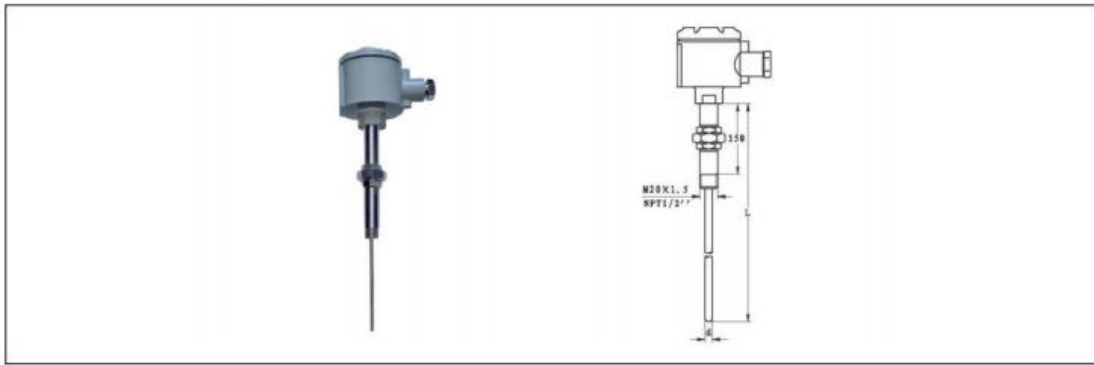


活络管接头式热电偶 Thermocouple of joint type of adjustable pipe



型号 Model	分度号 Graduation	测温范围 °C Range of temperature measurement °C	连接尺寸 Connection size	规格 Specification	
				d	L
WRM-54 WRM ₂ -54	N	0~1100	M20×1.5	Φ3 Φ4 Φ5 Φ6 Φ8	250 275 300 350 400 450 550 650 750 900 1150
WRM-54A WRM ₂ -54A		0~800	NPT1/2		
WRN-54 WRN ₂ -54	K	0~1000	M20×1.5		
WRN-54A WRN ₂ -54A		0~800	NPT1/2		
WRE-54 WRE ₂ -54	E	0~600	M20×1.5		
WRE-54A WRE ₂ -54A		0~600	NPT1/2		
WRC-54 WRC ₂ -54	T	0~350	M20×1.5		
WRC-54A WRC ₂ -54A		0~350	NPT1/2		
WRF-54 WRF ₂ -54	J	0~500	M20×1.5		
WRF-54A WRF ₂ -54A		0~500	NPT1/2		

1) 热电偶 I 级按协议订货;

2) 如无特殊之约定, L 仅为参考尺寸, 热电偶插入深度应为热安装套管 U 尺寸;

3) 热安装套管形式详见 P119。

1) Thermocouple I is ordered according to the agreement.

2) If there is no special agreement, L is only the reference size. The insertion depth of thermocouple should be the size of thermal installation sleeve U.

3) The form of thermal mounting sleeve is shown in P119.