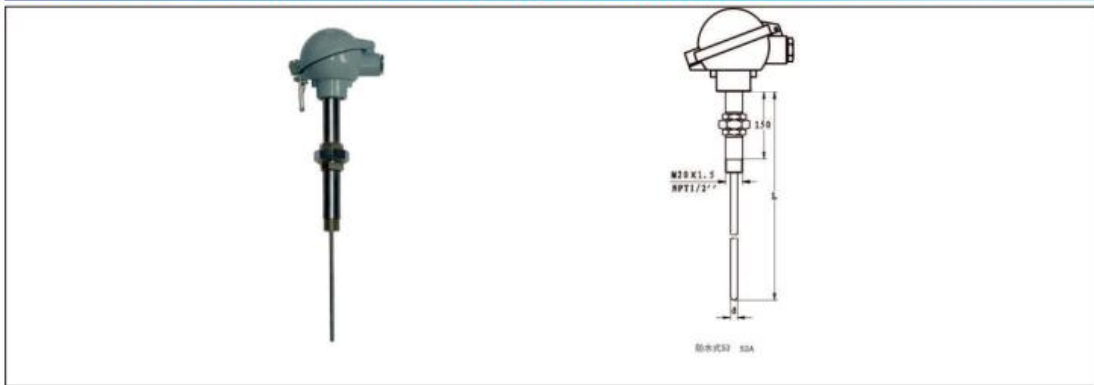


活络管接头式热电偶 Thermocouple of joint type of adjustable pipe



型号 Model	分度号 Graduation	测温范围 °C Range of temperature measurement °C	连接尺寸 Connection size	保护管材质 Material for protective tube	规格 Specification	
					d	L
WRM-53 WRM <sub>2</sub> -53	N	0~1100	M20×1.5	0Cr25Ni20	Φ3 Φ4 Φ5 Φ6 Φ8	245 270 295 345 395 445 545 645 745 899 1149
WRM-53A WRM <sub>2</sub> -53A			NPT1/2			
WRN-53 WRN <sub>2</sub> -53	K		M20×1.5	1Cr18Ni9Ti		
WRN-53A WRN <sub>2</sub> -53A			NPT1/2			
WRE-53 WRE <sub>2</sub> -53	E	0~700	M20×1.5	1Cr18Ni9Ti		
WRE-53A WRE <sub>2</sub> -53A			NPT1/2			
WRC-53 WRC <sub>2</sub> -53	T	0~350	M20×1.5	1Cr18Ni9Ti		
WRC-53A WRC <sub>2</sub> -53A			NPT1/2			
WRF-53 WRF <sub>2</sub> -53	J	0~600	M20×1.5	1Cr18Ni9Ti		
WRF-53A WRF <sub>2</sub> -53A			NPT1/2			

- 1) 型号53、53A为防水式，防护等级IP55；
- 2) 型号52、52A为防喷式，防护等级IP65，其它参数同53、53A；
- 3) 如无特殊之约定，L仅为参考尺寸，热电偶插入深度应为热安装套管U尺寸；
- 4) 热安装套管形式详见P119。

- 1) Model 53 and 53A are waterproof type with the protective grade being IP55.
- 2) Model 52 and 52A are anti-spring type with the protective grade being IP65. The other parameters are the same as 53 and 53A.
- 3) If there is no special agreement, L is only the reference size. The insertion depth of thermocouple should be the size of thermal installation sleeve U.
- 4) The form of thermal mounting sleeve is shown in P119.