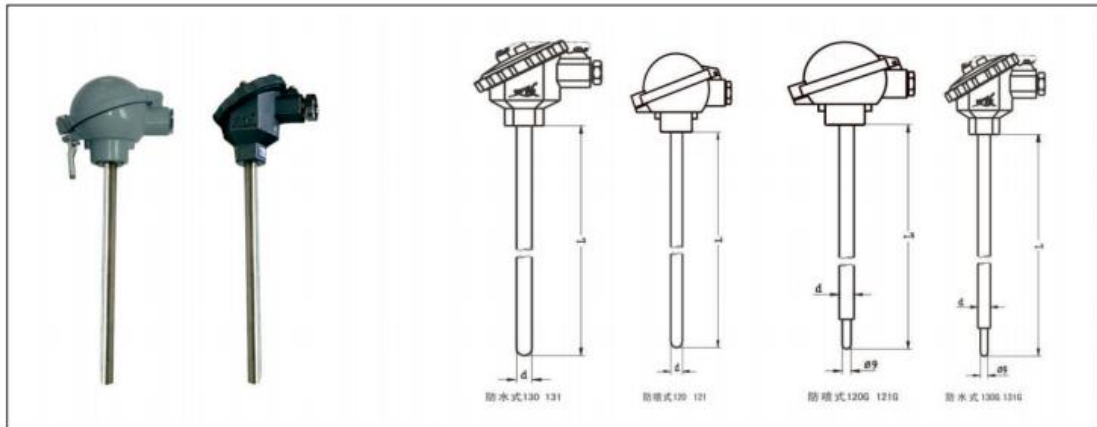


无固定装置热电阻 Thermal resistance with no-fixed device



型号 Model	分度号 Graduation	测温范围 °C Range of temperature measurement °C	热响应时间 Thermal response time	规格 Specification			
				d	L		
WZP-120 WZP ₂ -120	Pt100	A级 -30-300 B级 -50-500	<90s	φ 16	300 350 400 450 500 550 650 900 1150 1650 2150		
WZP-120G WZP ₂ -120G			<24s				
WZP-121 WZP ₂ -121			<90s	φ 12			
WZP-121G WZP ₂ -121G			<24s				
WZP-130 WZP ₂ -130			<90s	φ 16			
WZP-130G WZP ₂ -130G			<24s				
WZP-131 WZP ₂ -131			<90s	φ 12			
WZP-131G WZP ₂ -131G			<24s				
WZC-120G			Cu50 Cu100	-50~100		<120s	φ 16
WZC-120						<40s	
WZC-130	<120s						
WZC-130G	<40s						
WZC-121	<120s	φ 12					
WZC-121G	<40s						
WZC-131	<120s						
WZC-131G	<40s						