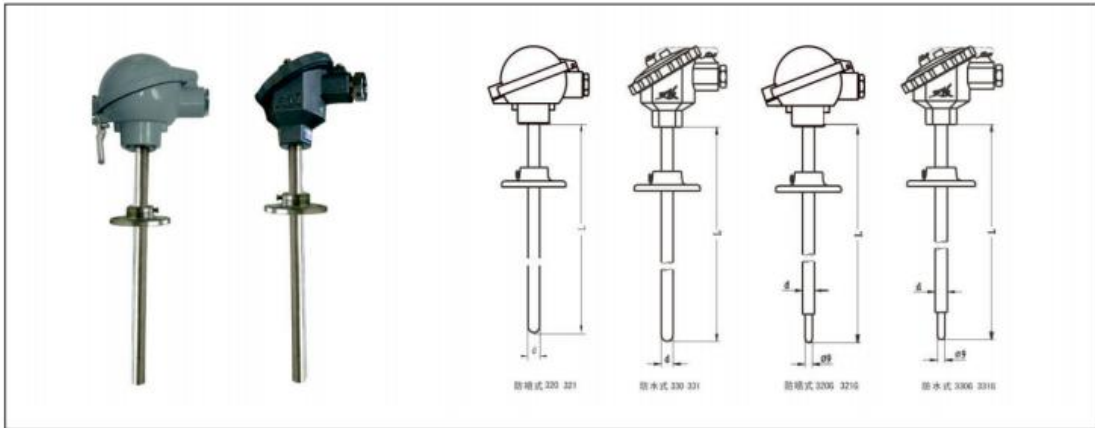


活动法兰式热电阻 Active-flange type thermal resistance



型号 Model	分度号 Graduation	测温范围 °C Range of temperature measurement °C	热响应时间 Thermal response time	规格 Specification			
				d	L		
WZP-320 WZP ₂ -320	Pt100	A级 -30-300 B级 -50-500	<90s	φ16	300 350 400 450 500 550 650 900 1150 1650 2150		
WZP-320G WZP ₂ -320G			<24s				
WZP-321 WZP ₂ -321			<90s	φ12			
WZP-321G WZP ₂ -321G			<24s				
WZP-330 WZP ₂ -330			<90s	φ16			
WZP-330G WZP ₂ -330G			<24s				
WZP-331 WZP ₂ -331			<90s	φ12			
WZP-331G WZP ₂ -331G			<24s				
WZC-320			Cu50 Cu100	-50~100		<120s	φ16
WZC-320G						<40s	
WZC-320	<120s						
WZC-330G	<40s						
WZC-321	<120s	φ12					
WZC-321G	<40s						
WZC-331	<120s						
WZC-331G	<40s						

