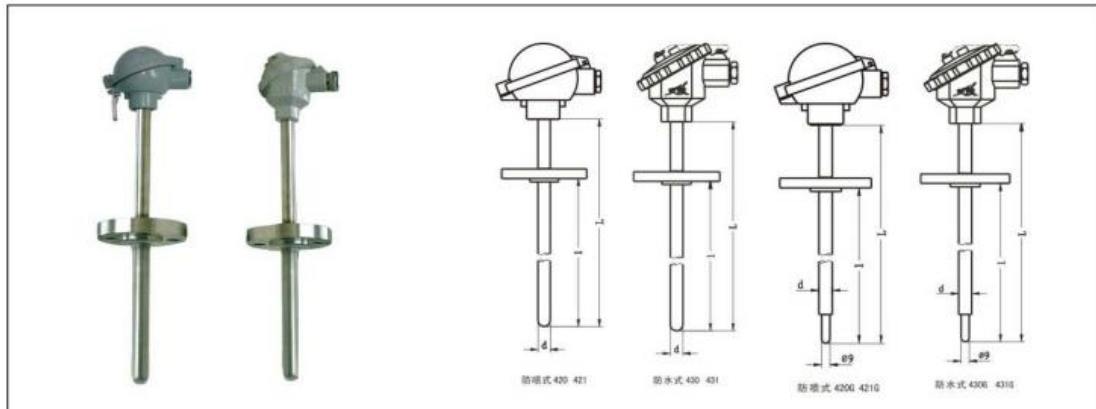


固定法兰式热电阻 Fixed-flange type thermal resistance



型号 Model	分度号 Graduation	测温范围 °C Range of temperature measurement °C	热响应时间 Thermal response time	规格 Specification			
				d	L		
WZP-420 WZP ₂ -420	Pt100	A级 -30-300 B级 -50-500	<90s	φ16	300×150 350×200 400×250 450×300 500×350 550×400 650×500 900×750 1150×1000 1650×1500 2150×2000		
WZP-420G WZP ₂ -420G			<24s				
WZP-421 WZP ₂ -421			<90s	φ12			
WZP-421G WZP ₂ -421G			<24s				
WZP-430 WZP ₂ -430			<90s	φ16			
WZP-430G WZP ₂ -430G			<24s				
WZP-431 WZP ₂ -431			<90s	φ12			
WZP-431G WZP ₂ -431G			<24s				
WZC-420G			Cu50 Cu100	-50~100		<120s	φ16
WZC-420						<40s	
WZC-430	<120s						
WZC-430G	<40s						
WZC-421	<120s	φ12					
WZC-421G	<40s						
WZC-431	<120s						
WZC-431G	<40s						

型号示例 Examples of model	法兰规格 Flange specification				
	D	D ₁	D ₂	H	d
WZP-420	Φ95	Φ65	Φ46	14	12、Φ16
WZP-420G	Φ95	Φ65	Φ46		
WZP-421	Φ95	Φ65	Φ46	14	12、Φ16
WZP-421G	Φ95	Φ65	Φ46		

可按用户约定要求提供法兰:详见P 86

The flange can be provided according to the requirements of users: for the specific information, please refer to P86.

