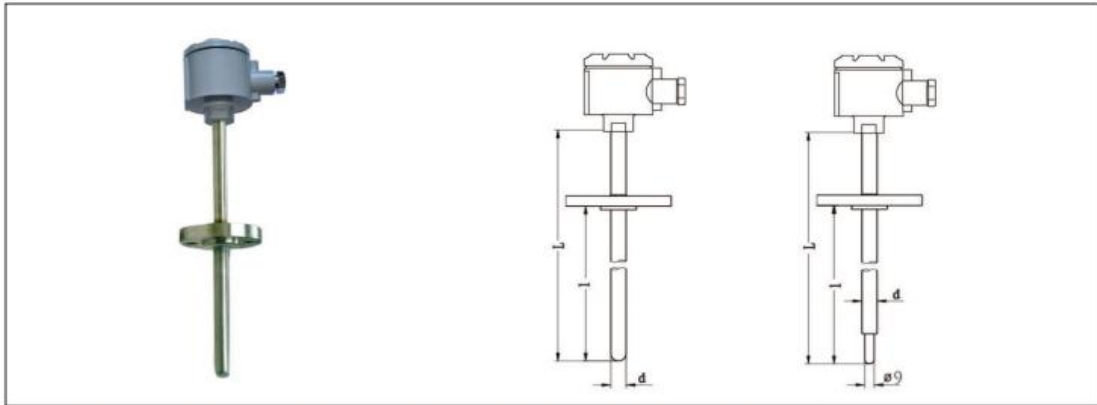


**固定法兰式热电阻 Fixed flange-type thermal resistance**



型号 Model	分度号 Graduation	测温范围 °C Range of temperature measurement °C	热响应时间 Thermal res- -ponse time	防爆级别 Explosion -proof grade	规格 Specification	
					d	L
WZP-440 WZP <sub>2</sub> -440	Pt100	A级 -30-300 B级 -50-500	< 90s	dIIB T4  dIICT5  dIICT6  iaIICT6	φ 16	300
< 24s			350			
WZP-440G WZP <sub>2</sub> -440G			< 45s		400	
WZP- 441 WZP <sub>2</sub> -441			< 24s		450	
WZP-441G WZP <sub>2</sub> -441G	Cu50 Cu100	-50~100	< 120s		φ 16	500
WZC- 440			< 40s			550
WZC-441			< 120s		600	
			< 40s		650	
					φ 12	1150
						1650

型号示例 Model of example	法兰规格 (mm) Flange specification(mm)				
	D	D <sub>1</sub>	D <sub>2</sub>	H	d
WZP- 240	Φ95	Φ65	Φ46	16	Φ16
WZP- 240A					
WZP- 240C	Φ95	Φ65	Φ46	16	Φ12
WZP- 240G					

