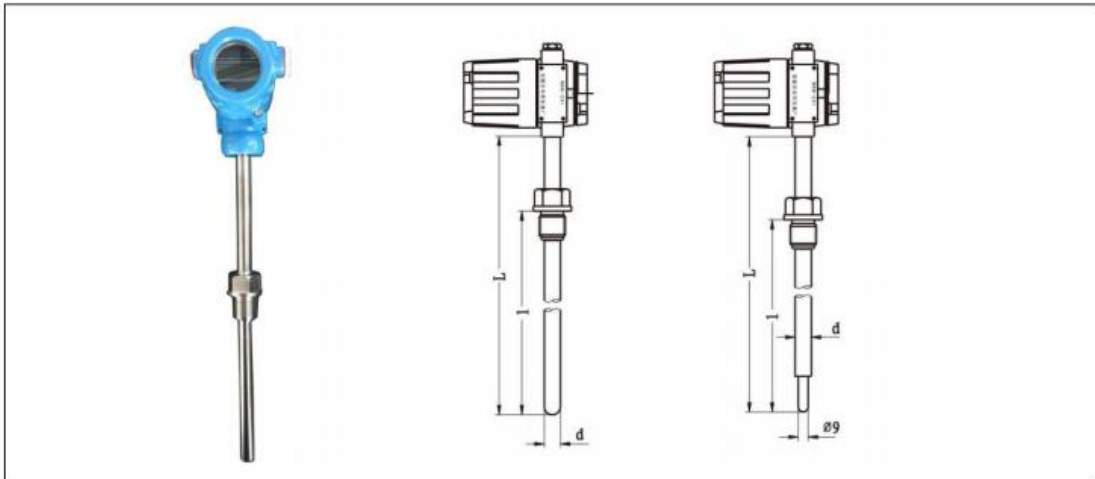
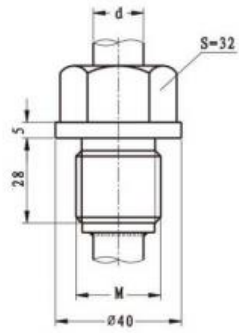


固定螺纹式 Fixed screw thread

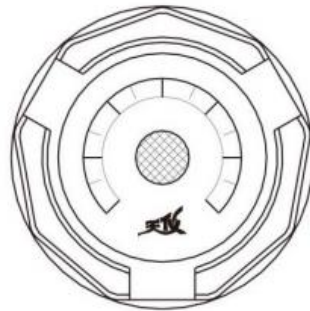


型号 Model	分度号 Graduation	测温范围 °C Range of temperature measurement °C	热响应时间 Thermal res- ponse time	防爆级别 Explosion -proof grade	规格 Specification			
					d	L		
WRMB-240M	N	0~1300	<90s	dIIIBT4 dIIICT5 dIIICT6 iaIICT6	Φ16	300 350 400 450 500 550 650 900 1150 1650 2150		
WRMB-240S			<24s					
WRMB-240GM WRMB-240GS	K	0~1300	<90s					
WRNB-240M WRNB-240S			<24s					
WRNB-240GM WRNB-240GS	E	0~800	<90s					
WREB-240M WREB-240S			<24s					
WREB-240GM WREB-240GS	T	0~350	<90s					
WRCB-240M WRCB-240S			<24s					
WRCB-240GM WRCB-240GS	J	0~600	<90s					
WRFB-240M WRFB-240S			<24s					
WZPB-241M WZPB-241S	Pt100	A级 -30-300 B级 -50-500	<120s				Φ12	
WZPB-241GM WZPB-241GS			<24s					
WZCB-241M WZCB-241S	Cu50 Cu100	-50~100	<120s					
WZCB-241GM WZCB-241GS			<24s					

号示例 No. of example	螺纹规格 Thread specification		d
	代号 Code	M	
WZP-240	-	M27×2	Φ16
WZP-240A	A	G3/4	
WZP-240G	-	M27×2	
WZP-241A	A	G3/4	



数显表头 (代号S)



模拟表头 (代号M)