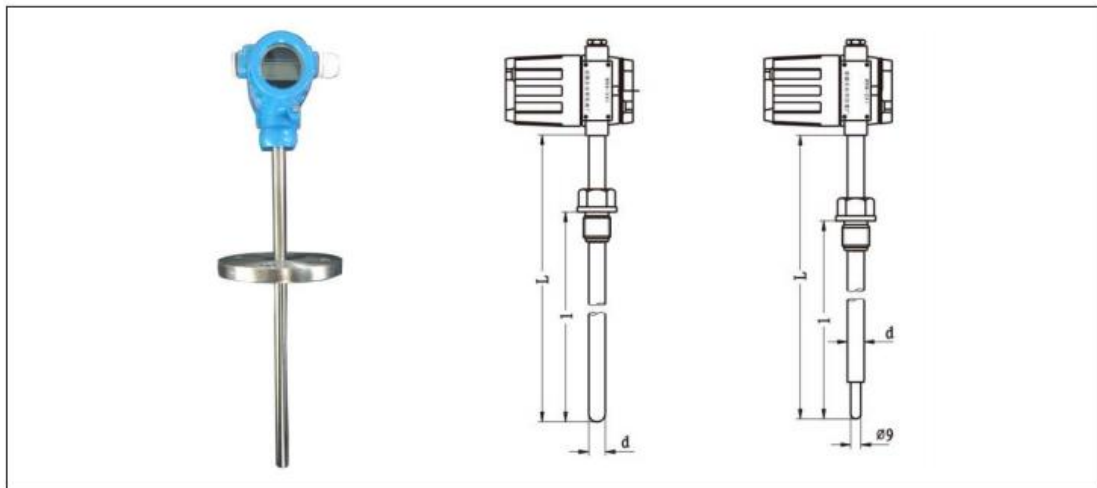


固定法兰式 Fixed flange type



型号 Model	分度号 Graduation	测温范围 °C Range of temperature measurement °C	热响应时间 Thermal res- -ponse time	隔爆等级 Explosion -proof grade	规格 Specification	
					d	L
WRMB-440M	N	0~1300	<90s	dIIBT4 dIICT5 dIICT6 iaIICT6	Φ16	300 350 400 450 500 550 650 900 1150 1650 2150
WRMB-440S			<24s			
WRMB-440GM WRMB-440GS			<24s			
WRNB-440M WRNB-440S	K	0~1300	<90s			
WZCB-440GM WZCB-440GS			<24s			
WRNB-440M WRNB-440S	E	0~800	<90s			
WREB-440GM WREB-240GS			<24s			
WRCB-440M WRCB-440S	T	0~350	<90s			
WRCB-440GM WRCB-440GS			<24s			
WRCB-440M WRCB-440S	J	0~600	<90s			
WRFB-440GM WRFB-440GS			<24s			
WZPB-441M WZPB-441S	Pt100	A级 -30-300 B级 -50-500	<120s			
WZPB-441GM WZPB-441GS			<24s			
WZCB-441M WZCB-441S	Cu50 Cu100	-50~100	<120s			
WZCB-441GM WZCB-441GS			<24s			

型号示例 No. of example	法兰规格 (mm) Flange specification(mm)				
	D	D <sub>1</sub>	D <sub>2</sub>	H	d
WRN-440S	Φ95	Φ65	Φ46	16	Φ16
WRN-430GS					
WRN-431S	Φ95	Φ65	Φ46	16	Φ12
WRN-431GS					

