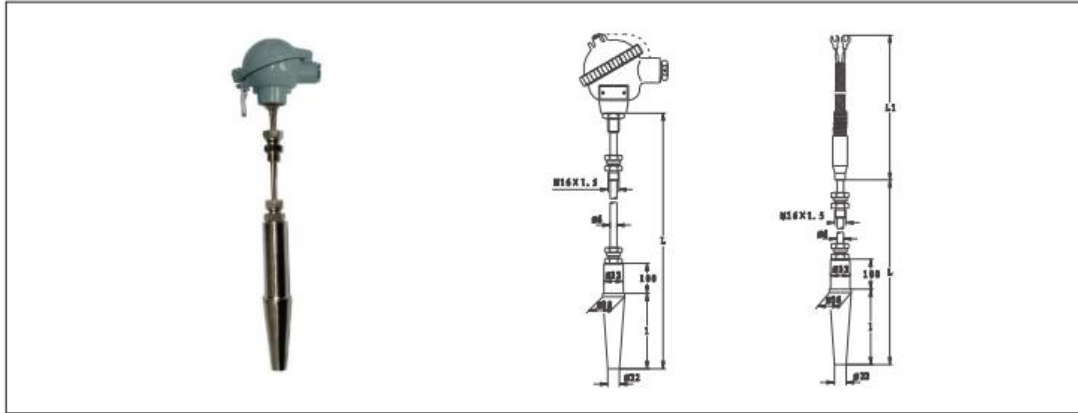


炉顶热电偶 (阻)

Thermocouple on the top of the boiler (resistance)



应用

适合于电厂锅炉炉顶及其他须远距离、高压测温场合

Application

Suitable for a power plant boiler roof and other required long distance, high pressure temperature measurement occasions

主要技术参数

电气出口: M16 × 1.5
连接尺寸: M16 × 1.5
防护等级: IP65

Main technical parameters

Electrical outlet: M16×1.5
Connection dimension: M16×1.5
Protection level: IP65

型号及规格

Model and specifications

型号 Model	分度号 Graduation	测温范围 °C Range of temperature measurement °C	公称压力 Nominal pressure	流速 Flow rate	规格 Specification	
					L	I
WRN-0313T WRN ₂ -0313T	K	0~800	≤38MPa	≤100m/s	1000	50 100 150
WREK-0313T WREK ₂ -0313T	E	0~600			2000	
WRNK-0913T WRNK ₂ -0913T	K	0~800			3000	
					4000	
					5000	
					6000	
					8000	
					10000	
WREK-0913T WREK ₂ -0913T	E	0~600	15000			
			20000			
			25000			
			25000			