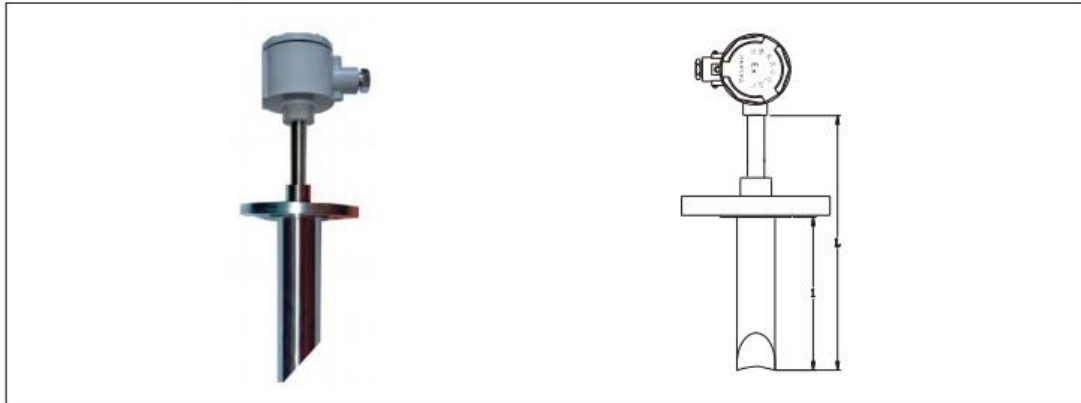


# 裂解炉专用热电偶

Specialized thermocouple for splitting decomposition furnace



## 应用

热电偶保护管采用特殊结构，使之紧贴于裂解炉管内侧，同时又不影响物料流动。适合于乙稀生产过程中裂解炉温度测量与控制。

## Application

The protection tube of thermocouple uses the special structure so that it is close to the inner side of the splitting decomposition furnace tube and it does not affect the flow of material. It is suitable for measurement and control of temperature in the production process of ethylene splitting decomposition furnace.

## 主要技术参数

电气出口: M20×1.5,NPT1/2  
 连接尺寸: M27×2,NPT3/4  
 防护等级: IP65  
 防爆等级: d II CT6  
 精度等级: I 级

## Main technical parameters

Electrical outlet: M20×1.5,NPT1/2  
 Connection dimension: M27×2,NPT3/4  
 Protection level: IP65  
 Explosion-proof grade: d II CT6  
 Precision grade: I

## 型号及规格 Model and specifications

型号 Model	分度号 Graduation	测温范围 °C Range of temperature measurement °C	热响应时间 Thermal response time	规格 Specification
WRNG-440T WRN <sub>2</sub> G-440T	K	0~1000	<180s	430×200 480×250

法兰为ANSI B16.5-88 21/2"300LB RF  
 The flange is ANSI B16.5-88 21/2"300LB RF

## 安装示意图 Model and specifications

