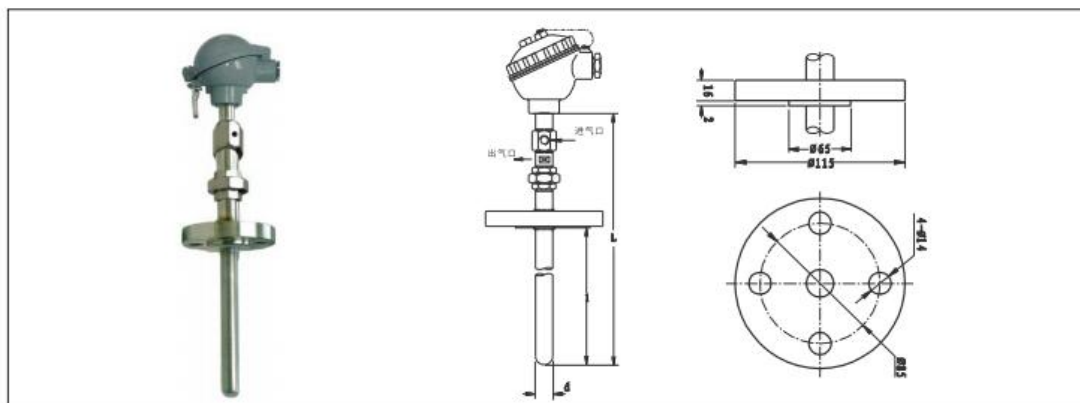


## 吹气热电偶 Blowing thermocouple



### 应用

通过吹进氮气或其它气体，将有害气体送出保护管外，从而提高热电偶寿命。是30万吨合成氨装置中不可缺少的测温装置。

### Application

the harmful gas is sent out of the protective tube by blowing in the nitrogen or other gases so as to increase thermocouple life, so it is the indispensable temperature measuring device in synthetic ammonia plant with capacity of 300000 ton.

### 主要技术参数

电气出口: M20 × 1.5, NPT1/2  
 精度等级: I、II  
 防护等级: IP65  
 公称压力: 常压

### Main technical parameters

Electrical outlet: M20 \* 1.5, NPT1/2  
 Connection dimension: M20 \* 1.5, NPT1/2  
 Protection level: IP65  
 xplosion proof grade: BT4 II d, D II Ct5  
 Nominal pressure: 15~40MPa

### 型号及规格 Model and specifications

型号 Model	分度号 Graduation	测温范围 °C Range of temperature measurement °C	流速 Flow rate	规格 Specification	
				d	L × 1
WRPC-230NM WRP <sub>2</sub> C-230NM	S	0~1300	高铝质 Gh3039	Φ16	900×750 1000×850 1150×1000