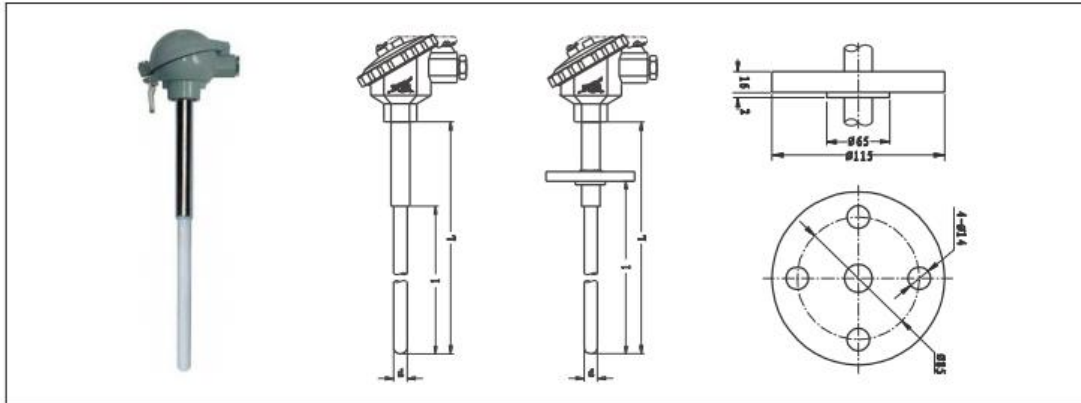


高温防腐热电偶

High-temperature anti-erosion thermocouple



应用

适用于各种生产过程中高温、腐蚀性场合，广泛应用石油化工、冶炼玻璃及陶瓷工业测温。

Application

It adopts the new anti-corrosion materials with PTFE F46 being rapped externally and it is suitable for temperature measurement in all kinds of corrosive medium in petrochemical industry. It is a special temperature-measuring instrument in chlor alkali industry.

主要技术参数

电气出口:M20 × 1.5, NPT1/2
精度等级: II
防护等级: IP65

Main technical parameters

Electrical outlet: M20 × 1.5, NPT1/2
Precision grade: II
Protection level: IP65

型号及规格 Model and specifications

型号 Model	分度号 Graduation	测温范围 °C Range of temperature measurement °C	保护管材料 Material for protective tube	热响应时间 Thermal response time	规格 Specification	
					d	L × 1
WRPF-130G WRP ₂ F-130G	S	0~1300	3YC52 Al ₂ O ₃	<80m/s	Φ 16	300×150 350×200 400×250 450×300 500×350 550×400 600×450 650×500 750×600 1000×850
WRQF-130G WRQ ₂ F-130G	R	0~1300				
WRRF-130G WRR ₂ F-130G	B	0~1600	MoSi ₂			
WRPF-430G WRP ₂ F-430G	S	0~1300	3YC52			
WRQF-430G WRQ ₂ F-430G	R	0~1300				
WRRF-430G WRR ₂ F-430G	B	0~1600	MoSi ₂			