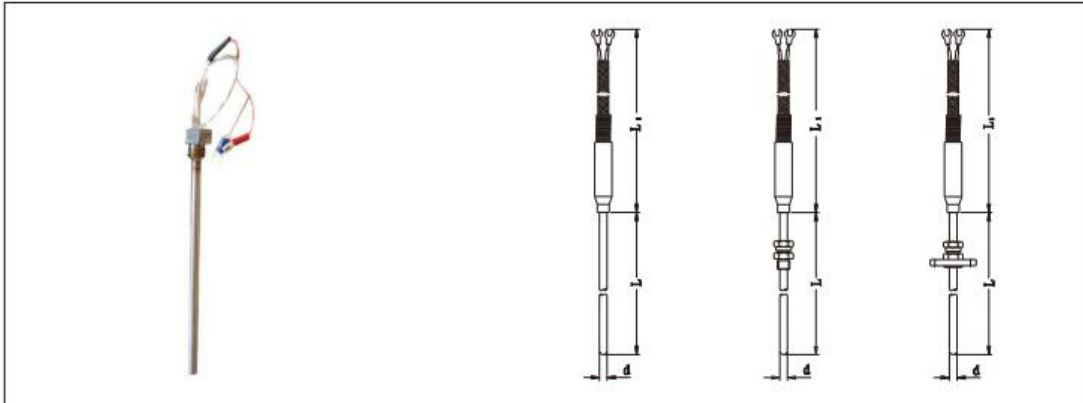


微型热电偶(阻) Miniature thermocouple (resistance)



应用

适用于狭小场所的温度测量与控制。是纺织、涤纶等行业不可缺少的测量温装置。

Application

It is suitable for temperature measurement and control in a small place. It is an indispensable device for measuring temperature in textiles, polyester industries and so on.

主要技术参数

1.精度等级
热电偶:II
热电阻: A,B

2.公称压力
常压

Main technical parameters

1.Standard for product implementation
Thermocouple: II
Thermal resistance: A,B

2.Nominal pressure
Atmospheric pressure

型号及规格 Model and specifications

型号 Model	分度号 Graduation	测温范围 °C Range of temperature measurement °C	热响应时间 Thermal response time	保护管材料 Material for protective tube	规格 Specification
WRE-203S	E	-40~250	<5S	1Cr18Ni9Ti	150 200 250 300 350 400 450
WRE-205S			<8S		
WRE-206S			<10S		
WZP-203S	Pt100	A级 -30-300 B级 -50-500	<5S		
WZP-205S			<8S		
WZP-206S			<10S		