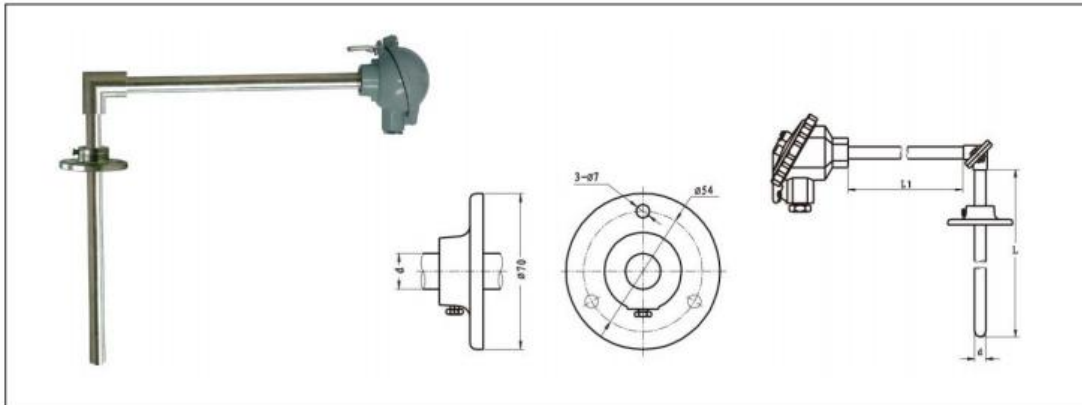


## 直角弯头热电偶 The bend thermocouple with right angle



### 应用

适用于生产现场存在高温和有害气体对热电偶接线盒有影响，或不直接水平及垂直安装场合。

### Application

It is applicable to the production site with high temperature and harmful gas which impact on the thermocouple junction box, or occasions where direct horizontal and vertical installation is not fitted.

### 主要技术参数

电气出口: M20x1.5, NPT1/2  
精度等级: I, II  
防护等级: IP65  
公称压力: 常压

### Main technical parameters

Electrical outlet: M20x1.5, NPT1/2  
Precision grade: I, II  
Protection level: IP65  
Nominal pressure: atmospheric pressure

### 型号及规格 Model and specifications

型号 Model	分度号 Graduation	测温范围 °C Range of temperature measurement °C	热响应时间 Thermal response time	保护管材料 Material for protective tube	规格 Specification
WRN-530	K	0~800	≤90s	1Cr18Ni9T	300×150 350×200 400×250 450×300 500×500 600×450 650×500
WRN <sub>2</sub> -530					
WRE-530	E	0~600			
WRE <sub>2</sub> -530					
WRN-530	K	0~800			
WRN <sub>2</sub> -530					
WRE-530	E	0~600			
WRE <sub>2</sub> -530					