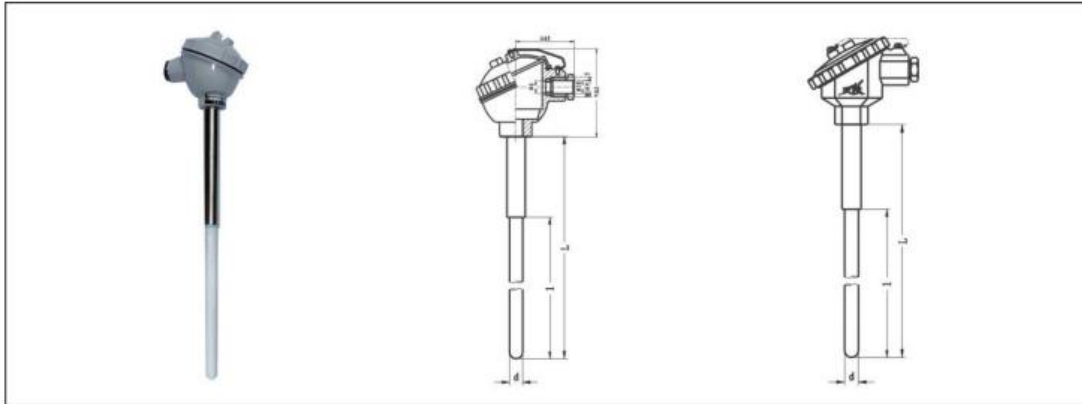


高温贵金属热电偶

High temperature thermocouple of precious metal



应用

适用于各种生产过程中高温场合，广泛应用于玻璃及陶瓷及工业盐浴炉等测温。

Application

It is applicable to the production site with high temperature and harmful gas which impact on the thermocouple junction box, or occasions where direct horizontal and vertical installation is not fitted.

主要技术参数

电气出口:M20x1.5, NPT1/2
 精度等级: II
 防护等级: IP65
 偶丝直径: F0.5
 公称压力: 常压

Main technical parameters

Electrical outlet: M20x1.5, NPT1/2
 Precision grade: II
 Protection level: IP65
 Radium of thermocouple wire: F0.5
 Nominal pressure: atmospheric pressure

型号及规格 Model and specifications

型号 Model	分度号 Graduation	测温范围 °C Range of temperature measurement °C	热响应时间 Thermal response time	流速 Flow rate	规格 Specification	
					d	L × 1
WRP-130 WRP ₂ -130	S	0~1300	<150s	高铝质 High alumina	Φ16	300×150 350×200 400×250 450×300 500×350 550×400 650×500 900×750 1150×1000 1650×1500 2150×2000
WRP-131 WRP ₂ -131			<360s		Φ25	
WRQ-130 WRQ ₂ -131	R	0~1300	<150s		Φ16	
WRQ-130 WRQ ₂ -131			<360s		Φ25	
WRR-130 WRR-131	B	0~1600	<150s	刚玉质 Corundum	Φ16	
WRR ₂ -130 WRR ₂ -131			<360s		Φ25	