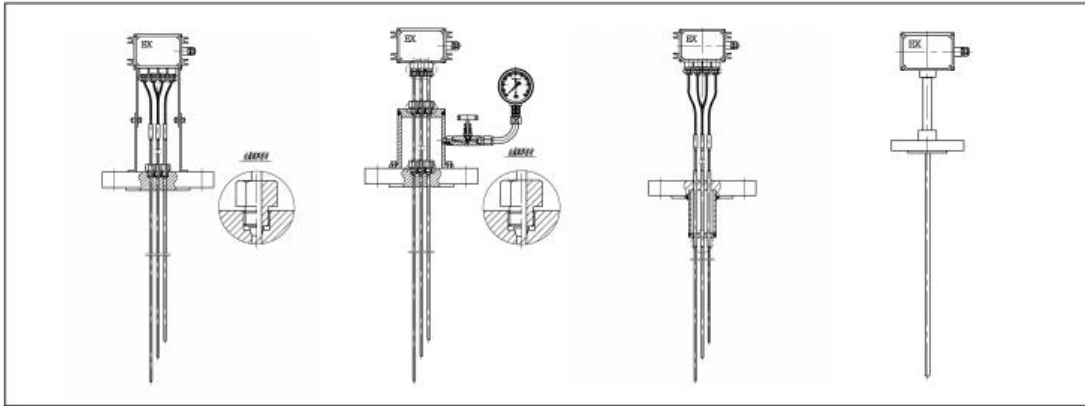


多点热电偶（阻） Multipoint thermocouple (resistance)



应用

多点热电偶（阻）适用于生产现场温度梯度不显著，同时需要测量多个位置或单个位置多出测量，产品广泛应用于合成塔、反应器、储罐等装置中。根据测温元件的结构可分为捆绑式、单点密封式、多点复合式等。专利证书：

Application

Multipoint thermocouple (resistance) is suitable for the production field with not obvious temperature gradient. At the same time, the personnel must measure one position or multiple position. The products are widely used in the synthesis tower, reactor, storage tank and other devices. According to the structure of the temperature measuring element, it can be divided into binding type, single point sealing type, multi-point composite type, etc. The patent certificate is:

型号 Model	分度号 Graduation	测温范围 Temperature-measuring range	公称压力 Nominal pressure	测温点数 Protective tube material	规格 Specifications
WRN-440DTR	K	0-1200℃	≤15MPa	2-40	实际需求设置 Set up according to the actual demand
WRN-440DTR	K	0-1200℃	≤15MPa	2-40	
WRN-440D	K	0-1200℃	≤15MPa	2-40	
WRN-440DTF	K	0-1200℃	≤15MPa	2-40	