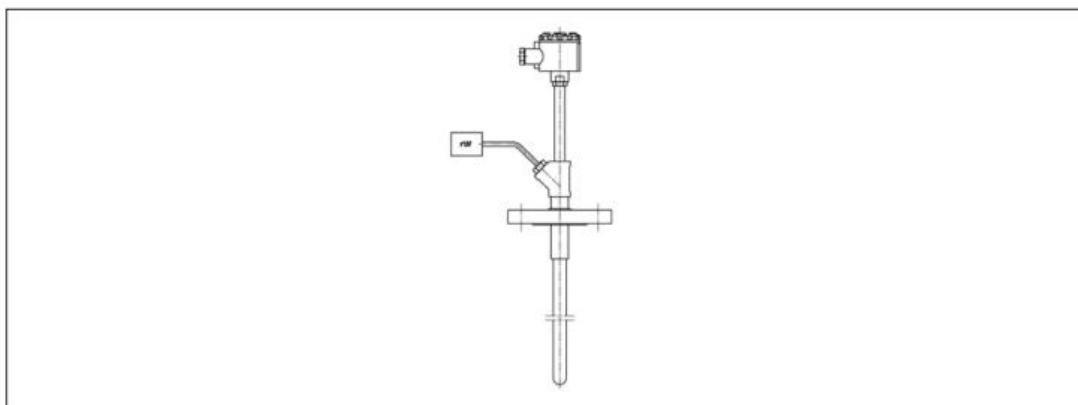


硫磺回收吹气热电偶 Sulfur recovery blowing thermocouple



应用

吹气热电偶适用于硫磺回收等含浓度较高的炉子测温，通过外部伸入吹气管至保护管内部，将保护管内有毒有害有腐蚀的气体吹出，或使保护管内压力大于炉膛压力不会使有害物质侵入，从而提高使用寿命。

Application

The blowing thermocouple is applicable for temperature measurement in furnace containing high concentration of sulfur recovery and it is inserted into the protective tube through the external part to blow out the poisonous and corrosive gases in the protective pipe.

型号 Model	分度号 Graduation	测温范围 Temperature-measuring range	公称压力 Nominal pressure	测温点数 Protective tube material	规格 Specifications
WRP-440C	S	0-1600℃	常压 Atmospheric pressure	亚微米级无压烧结碳化硅复合耐高温、耐冲刷保护管 Protection tube which is high temperature resistant and erosion resistant and compounded by sub-micron sintering silicon carbide	按实际需求设置 Set up according to the actual demand
WRQ-440C	R				
WRR-440C	B				